



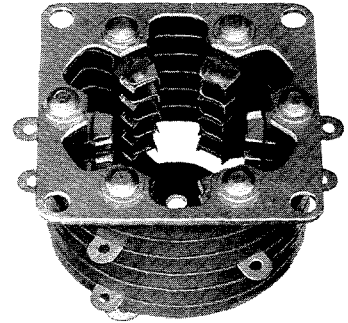
TECHNICAL DATA

SK-740  
AIR-SYSTEM  
SOCKET

The EIMAC SK-740 Air-System Socket is recommended for use with those tubes listed at the bottom of the page or other tube types having this special breech-block base. This socket is not intended for use with an Air-Chimney, but is particularly useful in applications where transverse air cooling, heat-sink or immersion cooling is intended. When this socket is used, connection is made to each of the tube electrodes except the anode.

BASE CONNECTIONS

The SK-740 socket consists of five sets of ring contacts: they are from top to bottom: 1.screen-grid, 2.control-grid, 3.cathode, 4.heater, 5.heater. Each set of contacts consist of six separate contacting tabs. The tube elements are connected to their external circuits by two diametrically-opposed solder tabs. The SK-740 has no grounded contacts.



MATERIALS AND FINISHES

The mounting plate of the socket is fabricated of nickel-plated brass. The contact rings and tabs are of beryllium copper, heat-treated after forming, then silver-plated. The rivets and washers are of brass, silver and nickel-plated respectively. The ten contact terminals are solder-dipped to insure firm, dependable solder contact. The insulating wafers and the stop yoke of the socket are molded of a flameproof diallyl meta-phthalate.

INSTALLATION

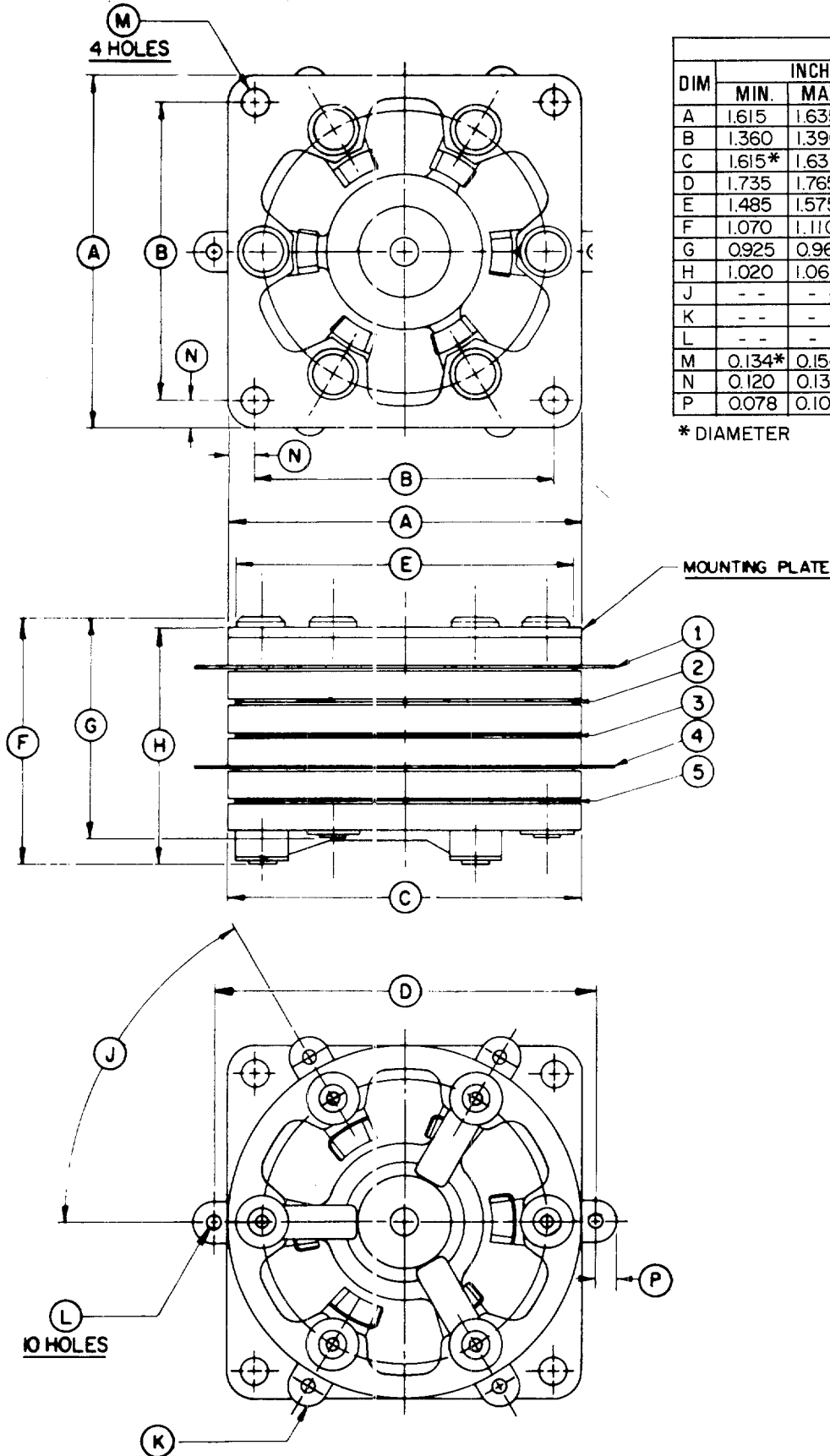
The SK-740 Air-System Socket is designed for under-chassis mounting and requires a 1.593 inches diameter hole through the chassis deck. Four screw holes are provided for fastening as shown in the outline drawing.

THE SK-740 AIR-SYSTEM SOCKET IS RECOMMENDED FOR USE WITH THE FOLLOWING TUBE TYPES:

- |         |              |
|---------|--------------|
| 4N15A   | 4CX300A/8167 |
| 4CX125C | 4CX300Y/8561 |
| 4CX125F |              |

Note: A separate means of directing air is required when using the SK-740 with the 4CX300A and 4CX300Y. For applications using these two tubes, the SK-760 and SK-770 Air-System Sockets are recommended. These contain an integral chimney.

NET WEIGHT (Approximate) . . . . . 1.5 Oz.; (42.5 gm)



DIM	DIMENSIONAL DATA					
	INCHES			MILLIMETERS		
	MIN.	MAX.	REF.	MIN.	MAX.	REF.
A	1.615	1.635	- -	41.02	41.53	- -
B	1.360	1.390	- -	34.54	35.31	- -
C	1.615*	1.635*	- -	41.02*	41.53*	- -
D	1.735	1.765	- -	44.07	44.83	- -
E	1.485	1.575	- -	37.72	40.00	- -
F	1.070	1.110	- -	27.18	28.19	- -
G	0.925	0.965	- -	23.49	24.51	- -
H	1.020	1.060	- -	25.91	26.92	- -
J	- -	- -	60°	- -	- -	60°
K	- -	- -	3/32R	- -	- -	2.34R
L	- -	- -	1/16 *	- -	- -	1.57*
M	0.134*	0.154*	- -	3.40*	3.91*	- -
N	0.120	0.130	- -	3.05	3.30	- -
P	0.078	0.109	- -	1.98	2.77	- -

\* DIAMETER

**CONNECTIONS**

- 1. SCREEN GRID
- 2. CONTROL GRID
- 3. CATHODE
- 4. HEATER
- 5. HEATER